

# NC951 Accessible Toilet Alarm Kit



## KEY FEATURES

- The UK's market-leading Accessible Toilet Alarm kit
- Includes everything required for a Part M & BS8300 compliant emergency assistance alarm (except cables & fixings)
- New 'Call Accept' functionality allows staff to send an intermittent call acknowledgment signal to inside the WC to confirm help is on the way
- Includes an NC943B 12V 140mA Call Controller with standby battery and relay, NC807C Ceiling Pull Unit, NC806CS Overdoor Light with Sounder, NC809DBBT Accessible Toilet Reset Point with Sounder & NC949 Accessible WC Sticker
- Simple to install 12V system - four core stranded security cable ideal for most installations
- Ceiling pull features two open-sided triangular bangles for ease of use by the infirm
- All wall-mounting accessories fit 25mm backboxes. Ceiling pull is surface mountable
- Rechargeable back-up battery provides up to 24 hours stand-by and 15 minutes alarm running time
- System can be easily expanded to include up to three additional 800 Series Call System devices
- Can be used to help building managers and service providers comply with the requirements of BS8300, the Equality Act, the Care Standards Act and the English Tourism Council's National Accessibility Scheme
- Optional wipe-clean anti-bacterial ceiling pull cord packs also available (NCP-13)
- Can also be used as a single zone emergency assistance alarm in changing rooms, interview rooms, reception areas and more

### NC807C Ceiling Pull Unit

Surface mounting. Base fits 16mm conduit and BESA centres.  
Typical location: Alongside the WC with the pull cord level with the toilet front. Its upper triangle should be set 800-1000mm from floor and its lower triangle set 100mm from floor.

### NC809DBBT Accessible Toilet Reset Point c/w Sounder

Mounts on a 25mm UK single gang back box.  
Typical location: Inside the WC so it is reachable from the toilet and a wheelchair. Position so it is at least 350mm from any corners. Its bottom edge should be between 800mm to 1000mm from the floor and above any hand rails.

### NC806CS Overdoor Light c/w Sounder

Mounts on a 25mm UK single gang back box.  
Typical location: Outside the WC above the door

4 core stranded security cable

1mm<sup>2</sup> T&E 230VAC from 3A switch fused spur

### NC949 Accessible Toilet Sticker

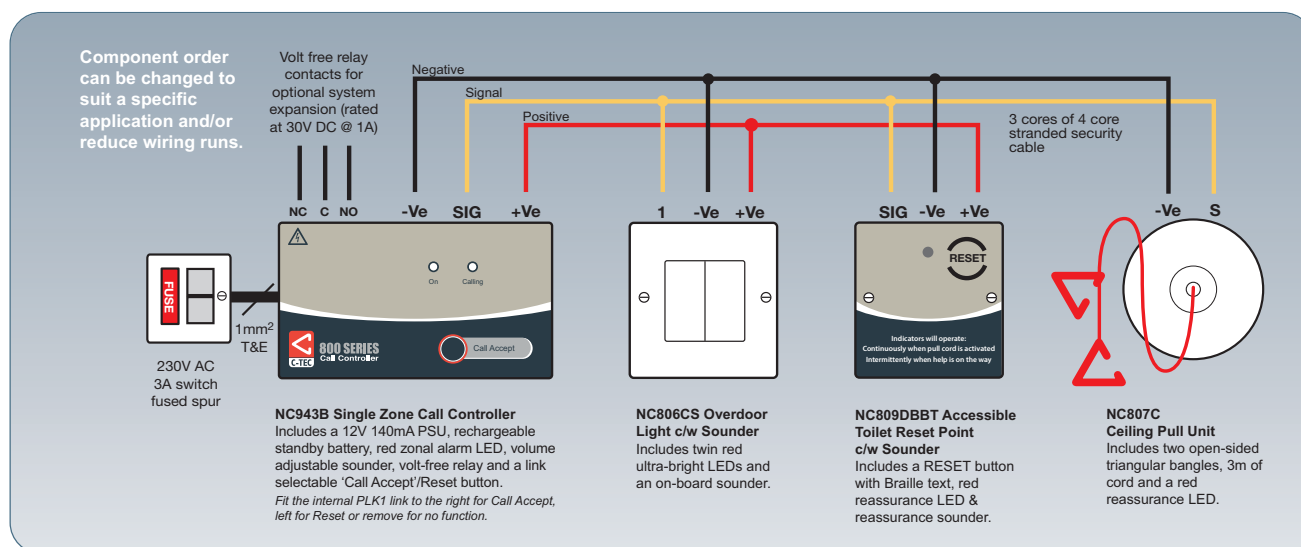
Typical location: On the WC's entrance door.

### NC943B Single Zone Call Controller c/w standby battery

Mounts on a 25mm UK double gang back box. Typical location: Outside the WC in a remote staffed area.

Always refer to current design standards and the detailed instructions supplied with the NC951 before installation.

## NC951 WIRING DETAIL



## NC951 OPERATION

1. The distressed person raises an alarm by pulling the cord on the Ceiling Pull Unit.

### Inside the WC:-

The red reassurance LED on the Ceiling Pull Unit and the red reassurance LED and sounder on the Reset Point activate steady to reassure the user the call has been registered.

### Outside the WC:-

The red Alarm LEDs and sounder on the Overdoor Light c/w Sounder and the red 'CALLING' LED and Sounder on the Call Controller activate steady to let staff know someone is in need of assistance.

2. The member of staff responding to the Alarm call presses the 'Call Accept' button on the Call Controller.

### Inside the WC:-

The red reassurance LED on the Ceiling Pull Unit and the red reassurance LED and sounder on the Reset Point c/w Sounder activate intermittently (approx 1 second on, 5 seconds off) to let the user know help is on the way.

3. Once assistance has been provided, the Alarm call is cancelled from inside the WC by pressing the 'RESET' button on the Reset Point

### Inside and outside the WC:-

All indicators and sounders are extinguished and the system returns to normal.

**OPTIONS:** A link inside the Call Controller allows its button to be configured so instead of accepting an Alarm call, it resets it or has no effect. Both of these functions are outside the scope of BS8300 and are not recommended for use in Accessible Toilet Alarm installations. However they may be suitable for use in other applications subject to the approval of the responsible person(s).

## MULTI-ZONE ACCESSIBLE TOILET ALARM SYSTEMS



Need a multi-zone accessible toilet/emergency alarm system? Look no further than our NC910 and NC920 range of 10 and 20 zone call controllers and expansion units. Housed in attractive enclosures measuring just 210mm wide x 175mm high, they allow systems of 10, 20, 30 or 40 zones to be easily implemented. As well as being able to indicate standard (constant tone) and emergency (intermittent tone) calls, they also include a 'Call Accept' function and are fully compliant

with C-TEC's full range of 800 Series field devices. Visit our website at [www.c-tec.com](http://www.c-tec.com) for further details.

## Other Equality Act friendly products available from C-TEC



The PDA range of audio-frequency hearing loop equipment for the hard of hearing



The QT951 Accessible Toilet Alarm-an expansion kit exclusively for use with C-TEC's Quantec Addressable Call System



The SigTEL disabled refuge emergency voice communication system



A wide range of EN54-23 certified visual alarm devices for fire alarm systems

C-TEC, Challenge Way, Martland Park, Wigan, WN5 0LD United Kingdom.

+44 (0)1942 322744

+44(0) 01942 829867

sales@c-tec.co.uk

www.c-tec.com

You're safe with C-TEC

Approved Document No. DML0502200 Rev 3

