



5516E/5586/R

Desktop Reader

User Manual

System Features

1. Desktop Reader;
2. Output Format:
 - HEX 3 Bytes.
 - HEX 4 Bytes.
 - ASCII 3 Bytes.
 - ASCII 4 Bytes.
3. RS-232 serial output interface
4. Certificates: CE, FCC, RoHS, MA

Technical Specifications

- Card Format: 5516E: EM4001 or compatible
5586/R: Mifare-1 or compatible
- Frequency: 5516E: 125KHz
5586/R: 13.56MHz
- Range: 5516E: Up to 15cm
5586/R: Up to 5cm
- Power: 7 – 15VDC
- Current: Static 35mA Operating: 40mA.
- Operating Temperature: -14°C ~ +70°C.
- Humidity: 10% ~ 90%



Model 5516E



Model 5586/R

Package Contents

Your package contains the following items:



1). Card Reader



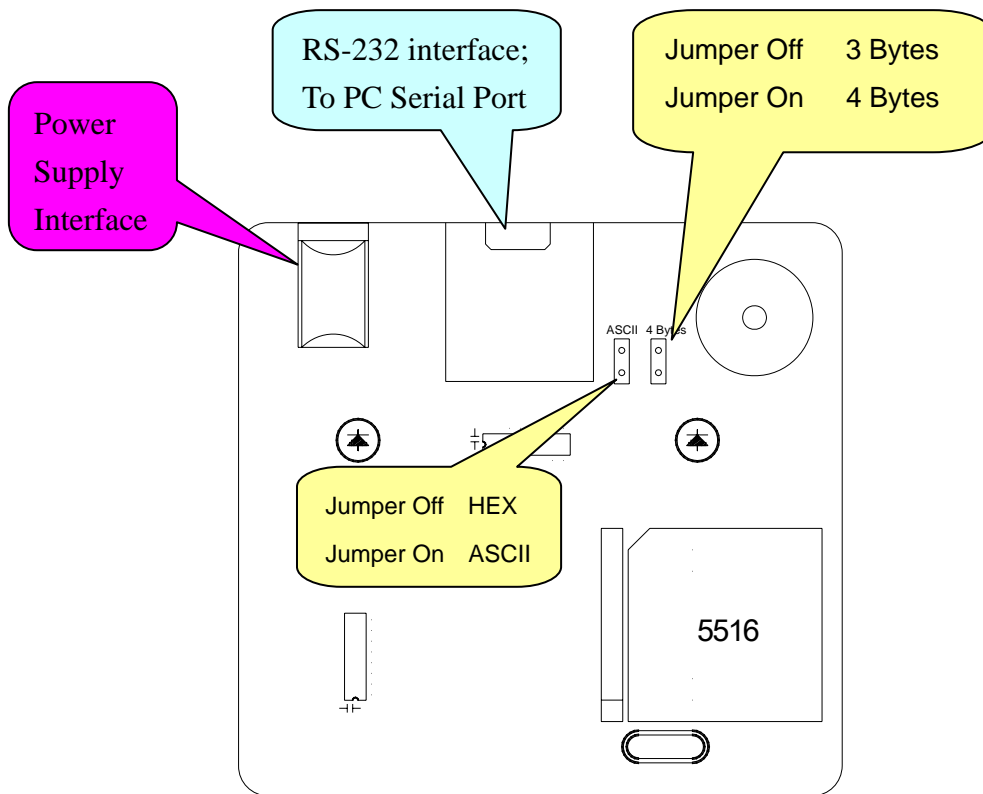
2). Power Adapter



3). RS232 Cable

Mode Jumper Settings:

Mode		Jumper Position		Output
No.	Description	ASCII	4 Bytes	
1	HEX 3 Bytes	OFF	OFF	Wiegand 26 Bits
2	HEX 4 Bytes	OFF	ON	Wiegand 34 Bits
3	ASCII 3 Bytes	ON	OFF	Wiegand 26 Bits
4	ASCII 4 Bytes	ON	ON	Wiegand 34 Bits



5516E Jumper Positions

The default mode is 3 which is ASCII 3 Bytes with a Wiegand 26 bits output. This will work correctly with the Sphinx Software.

To change the mode the 4 x screws on the unit must be undone using a * screw tool.

Notes:

- Before connecting the reader to the computer (or any other device), please make sure you have already selected the correct mode.
- If you are using the Sphinx software, please make sure the [Desktop Reader ComPort](#) which is defined in the software [Setup → SetIniFile](#) window is configured to the same [Serial Port](#) (for example: COM1) which the reader is physically connected to the PC.
- Opening the reader in order to set the mode should be done carefully and slowly, to prevent any damage to the camera.